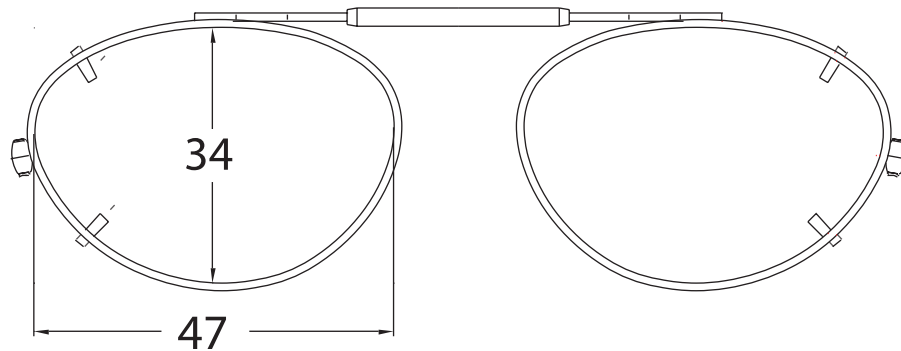


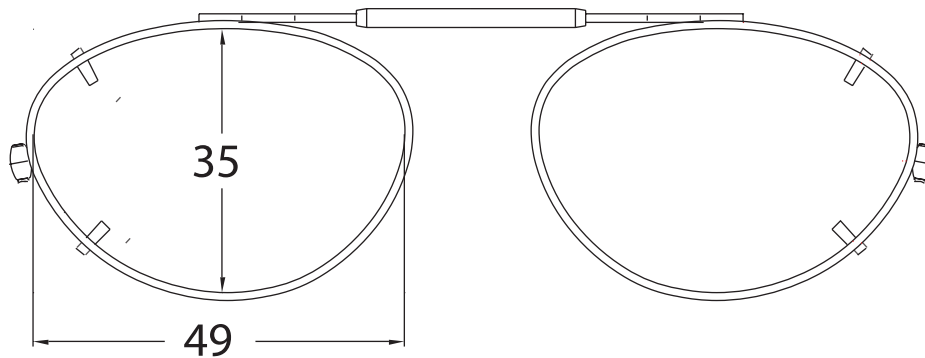
PRINT THIS PAGE AT 100% RESOLUTION BEFORE USING

ALM 48



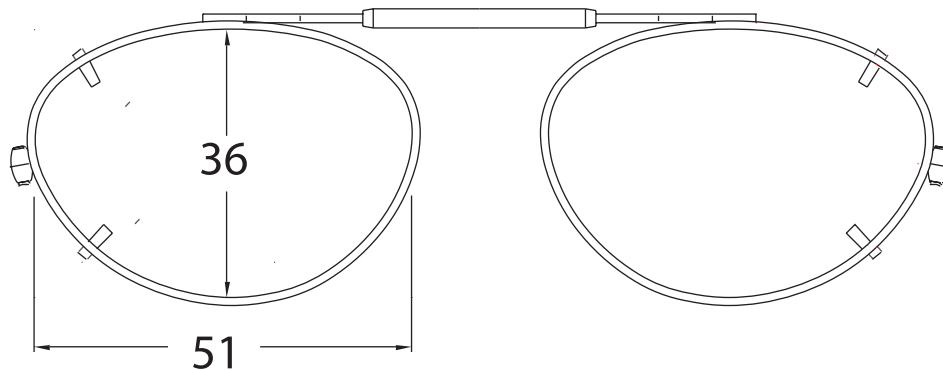
PLACE A PENNY OVER IMAGE TO ENSURE PROPER SIZING

ALM 50

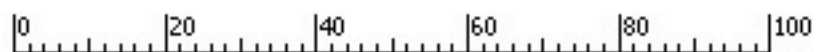


PLACE YOUR OPTICAL FRAME OVER CLIP IMAGES TO DETERMINE CLIP SHAPE AND SIZE

ALM 52



You can also measure your frame in mm and compare to measurements on clip images above



Measurements shown in mm